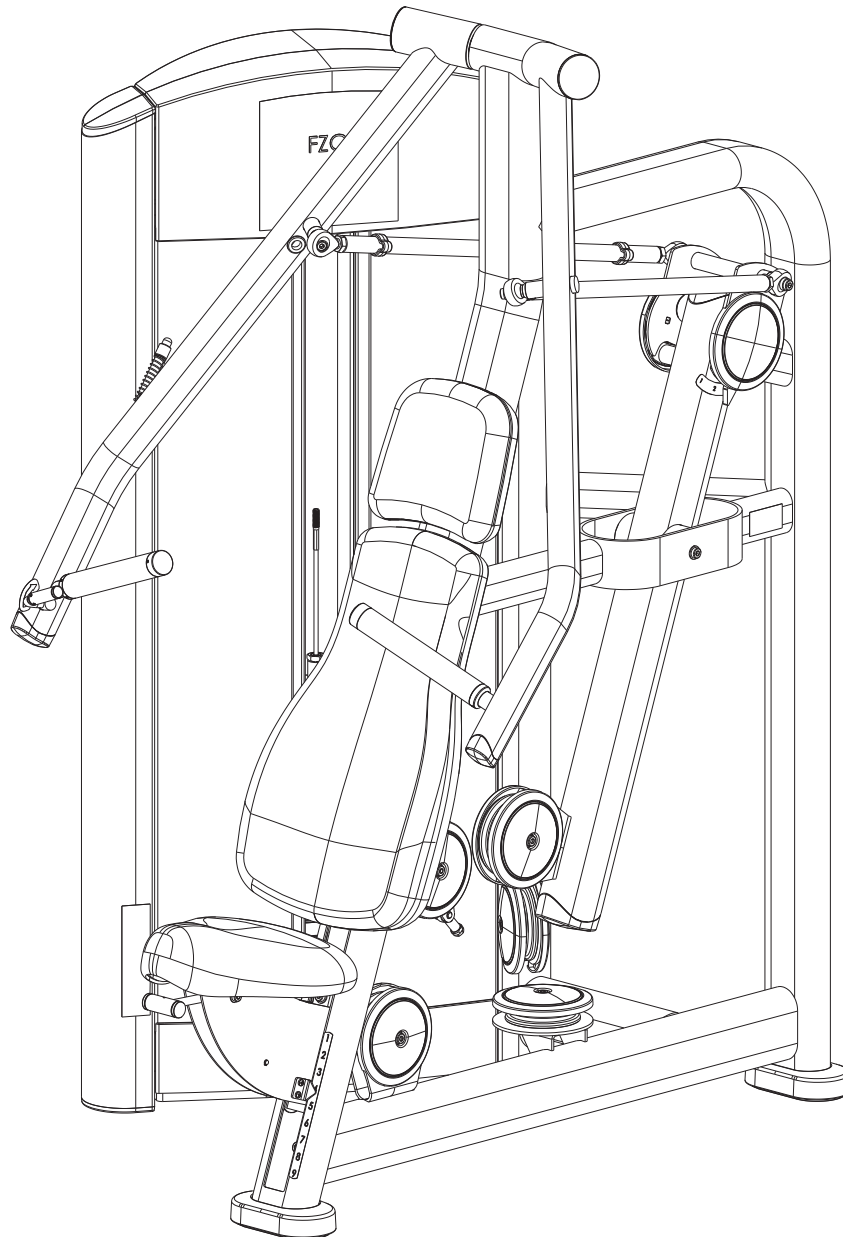




SIGNATURE SERIES
FZCP CHEST PRESS

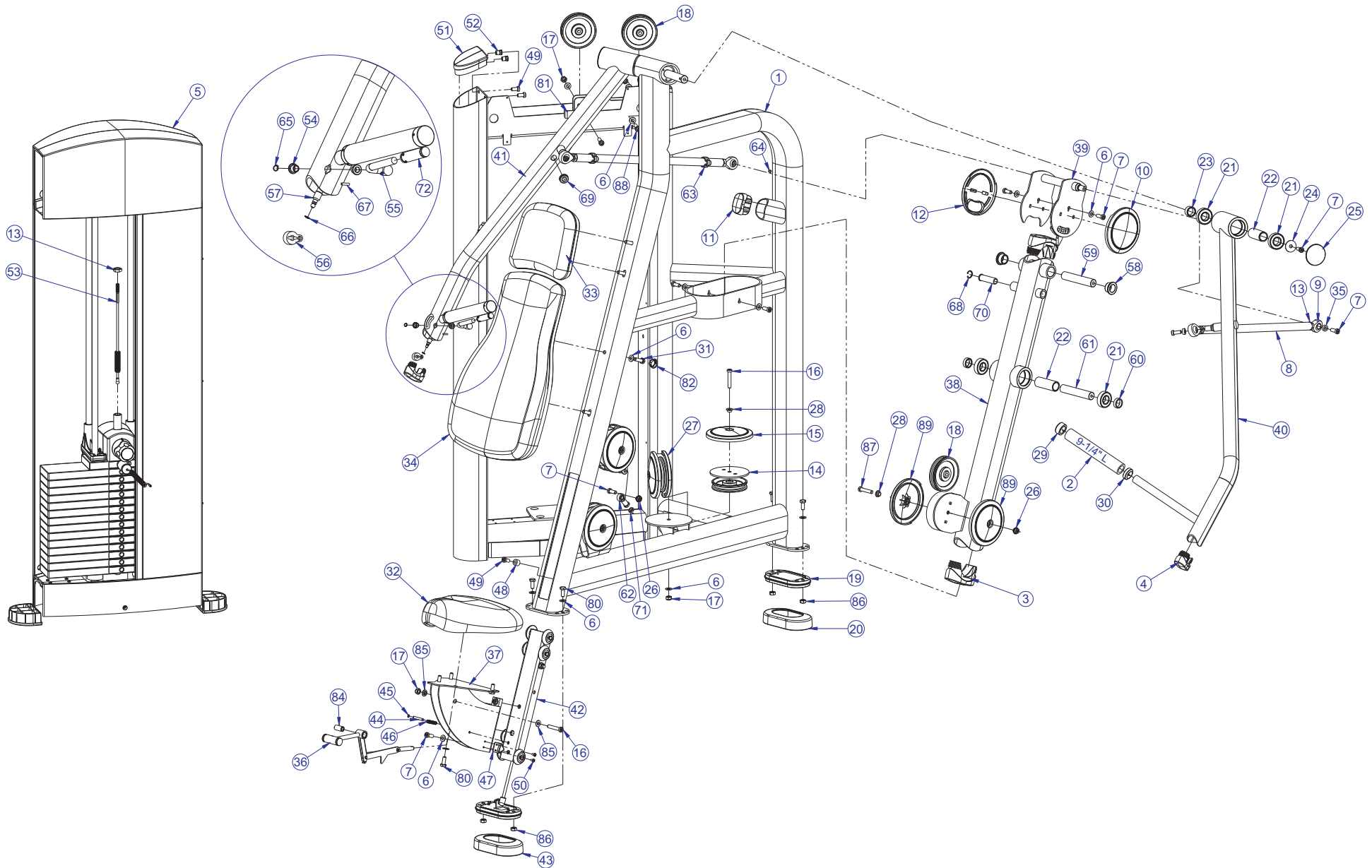


Customer Support Services
PARTS MANUAL

FZCP CHEST PRESS CONTENTS

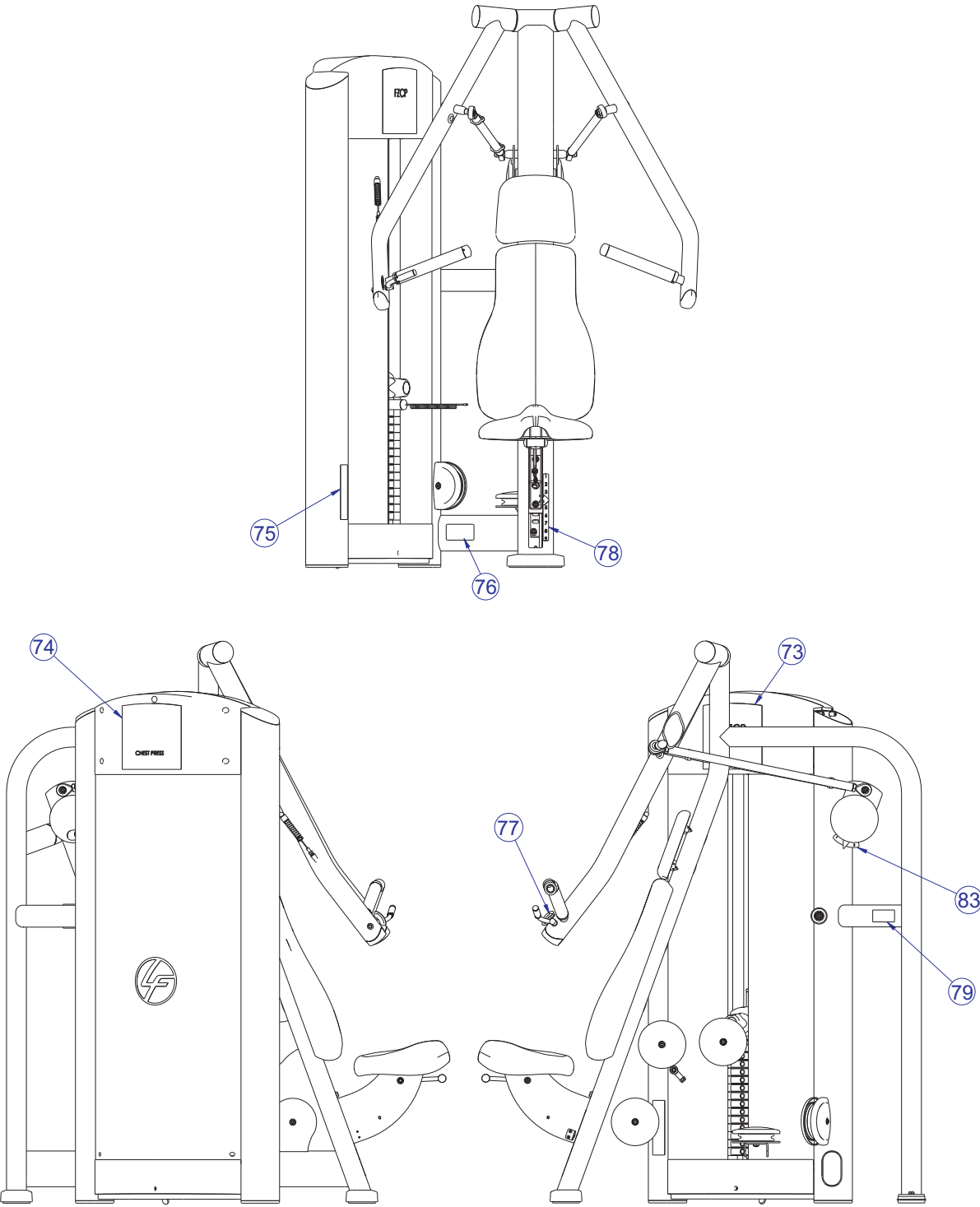
	PAGE
COMPONENT ASSEMBLY	3
COMPONENT ASSEMBLY II	4
COMPONENT ASSEMBLY LEGEND	5
SEAT CARRIAGE ASSEMBLY	6
SEAT CARRIAGE ASSEMBLY LEGEND	7
ADJUSTER HANDLE ASSEMBLY	8
MID-14 TOWER ASSEMBLY	9
PLASTIC TOWER ASSEMBLY	10
MID-14 WEIGHT STACK ASSEMBLY	11
5 LB. INCREMENT WEIGHT ASSEMBLY	12
10 LB. INCREMENT WEIGHT ASSEMBLY	13
15 LB. INCREMENT WEIGHT ASSEMBLY	14
HEAD PLATE ASSEMBLY	15
HEAD PLATE ASSEMBLY LEGEND	16
IMAGE	17

FZCP CHEST PRESS COMPONENT ASSEMBLY



SEE PAGE 5 FOR LEGEND

FZCP CHEST PRESS COMPONENT ASSEMBLY II

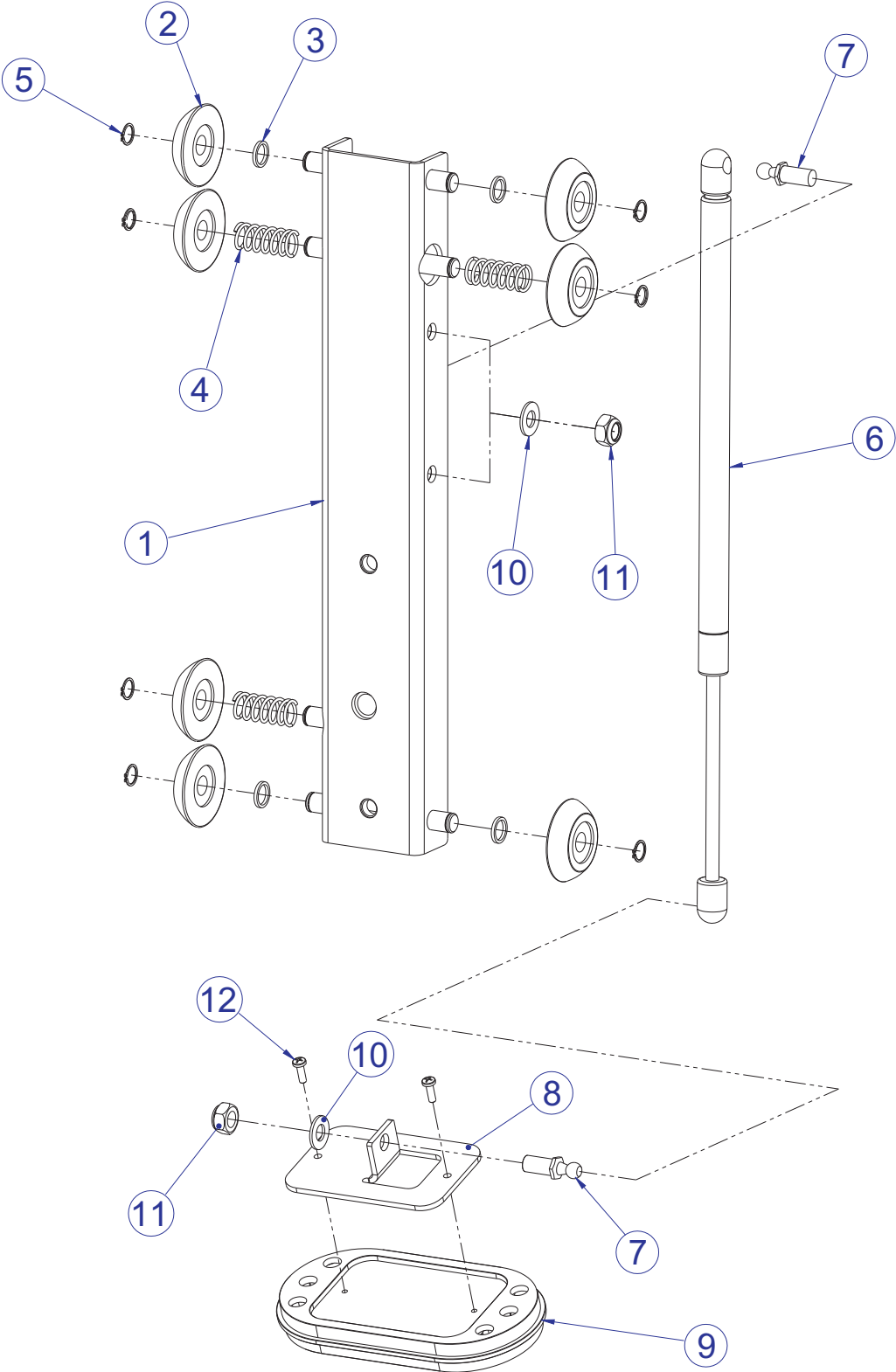


SEE PAGE 5 FOR LEGEND

FZCP CHEST PRESS COMPONENT ASSEMBLY LEGEND

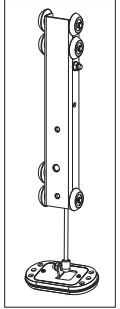
ITEM NO.	QTY.	PART NO.	DESCRIPTION				
1	1	7119101	WLDMT, FZCP FRAME	45	2	3232401	RING, RETAINING, EXTERNAL
2	2	3235802	GRIP, TBC	46	1	3239201	SPRING, EXT, .375 X .049 X 2.00
3	2	7333901	CAP, LARGE FLOV- END	47	1	7425295	BRKT, SEAT INDICATOR
4	2	7333801	CAP, SMALL FLOV- END	48	1	7385203	SPACER, .406 X .750 X .500
5	1	7420401	ASSY, MID TOWER-14	49	5	3236201	SCREW, M10 X1.5 20MM
6	22	3236601	WASHER, 3/8 SAE SS	50	2	3239101	SCREW, M5X10 PHL PAN TT ST
7	13	3236202	SCREW, M10 X1.5 25MM	51	2	7326201	CAP, D-TUBE - TOP
8	2	7318003	TIE ROD, 1 X 24	52	4	3238601	M10X1.5 THREADED INSERT (HEX)
9	4	3238701	ROD END, METRIC MALE	53	1	7423604	CABLE, FZCP
10	1	7340001	COVER, PULLEY- NOTCHED	54	2	3104908	.375" ID .500" OD BRONZE BUSHING
11	1	7317901	STOP, BUMPER	55	1	8002195	WLDMT, ADJ HANDLE SHDW GREY
12	1	7516801	COVER, PULLEY- SLOT	56	1	8002301	CAM, PUSH-PULL ADJ
13	5	3236902	NUT, M16 X 2 HEX JAM SS	57	1	7445501	ASSY, CABLE PUSH-PULL
14	1	7318201	PLATE, PULLEY	58	2	3104903	1.00" ID 1.25" OD BRONZ BUSHING
15	1	8102901	COVER, PULLEY-BOLTED FULL	59	1	7324902	SHAFT, TAPPED 1 DIA X 5.330
16	2	3236208	SCREW, M10 X1.5 55MM	60	2	7330001	SPACER, INTERNAL X .403
17	4	3236801	NUT, M10 HEX NYLOCK SS	61	1	7316502	SHAFT, 25MM X 5.250
18	7	3237801	PULLEY, 4.5" OD	62	1	3237901	ROD END, METRIC FEMALE
19	1	7334001	FOOT, 2.50 X 4.49 FLOV	63	2	7780001	CLIP, CABLE
20	1	7340201	COVER, FOOT - STRAIGHT	64	2	3242901	SCREW, SET BO
21	6	3235601	BEARING, 6205 BALL	65	1	3232405	RING, RETAINING, EXTERNAL
22	3	7330003	SPACER, INTERNAL X 3.265	66	1	3232403	RING, RETAINING, EXTERNAL
23	2	7330002	SPACER, INTERNAL X .653	67	1	3110013	ROLL PIN, 5/32 DIA X 5/8
24	2	3236701	WASHER, FENDER 3/8" ID X 1.5" OD	68	1	3232202	RING, BRI .875,5000-87,ST,PP,B
25	2	7308701	CAP, BEARING HOUSING	69	1	3209101	GROMMET
26	5	7335401	NUT, M10 X 1.5 SOCKET HEAD	70	1	7524901	HOUSING, INT PUSH-PULL ADJ
27	2	8094101	COVER, PULLEY-BOLTED PARTIAL	71	1	3236901	NUT, M10 X 1.5 JAM
28	5	7630101	RETAINER, CM/MJ, PULLEY	72	1	7681901	HANDLE, REMOTE
29	2	7662902	CAP, GRIP 1.50 OD	73	1	7507101	LABEL, FZCP PLACARD
30	2	7662802	RING, GRIP 1.50 OD	74	1	7507201	LABEL, FZAB PLACARD
31	4	3251204	SCREW, M10 X1.5 X 35MM HEX	75	1	7422004	LABEL, 2" ASTM WARN
32	1	72971XX	PAD, SEAT SADDLE	76	1	7571301	LABEL, SERIAL NUMBER
33	1	74743XX	PAD, HEAD REST	77	1	7524001	LABEL, ARROW
34	1	74741XX	PAD, LARGE BACK	78	1	7524501	LABEL, 1-9 STRAIGHT
35	4	7385201	SPACER, .406 X .750 X .250	79	1	7422003	LABEL, MOVING PARTS
36	1	7778001	ASSY, FZ ADJUSTER HANDLE	80	8	3251202	SCREW, M10 X1.5 X 25MM HEX
37	1	7330501	WLDMT, FZ SEAT SUPPORT	81	1	6757701	CLIP, CABLE 2-7/8 X 1 X 1
38	1	7120801	WLDMT, FZCP PIVOT ARM	82	4	3237403	PLUG, 1" HOLE
39	1	7332101	WLDMT, FZCP ADJ START	83	1	7523901	LABEL, 1-3 CURVED
40	1	7119701	WLDMT, FZCP PRESS ARM LH	84	1	7776501	SHAFT, .625 X .406 X 1.200
41	1	7119601	WLDMT, FZCP PRESS ARM RH	85	2	7776401	SPACER, FLANGE .406 X .495 X .81
42	1	7911101	ASSY, SEAT CARRIAGE	86	4	3254703	NUT, M10 X 1.5 HEX ZINC
43	1	7419601	COVER, FOOT-20 DEG.	87	4	3236207	SCREW, M10 X1.5 50MM
44	1	7407502	PIN, LINK	88	2	3236206	SCREW, M10 X1.5 45MM
				89	6	8104501	COVER, PULLEY-BOLTED NOTCHED

FZCP CHEST PRESS SEAT CARRIAGE ASSEMBLY - 7911101



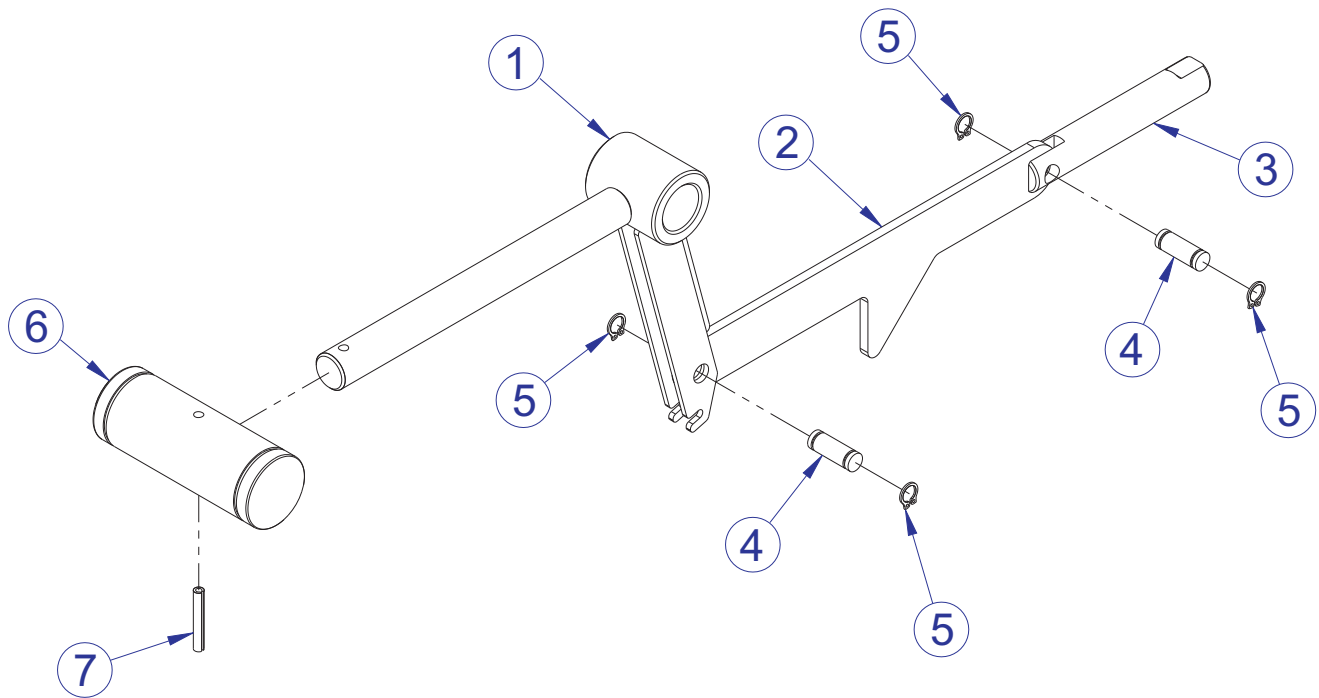
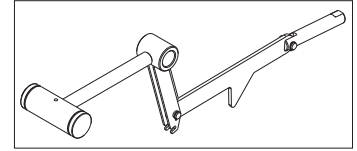
SEE PAGE 7 FOR LEGEND

FZCP CHEST PRESS SEAT CARRIAGE ASSEMBLY LEGEND



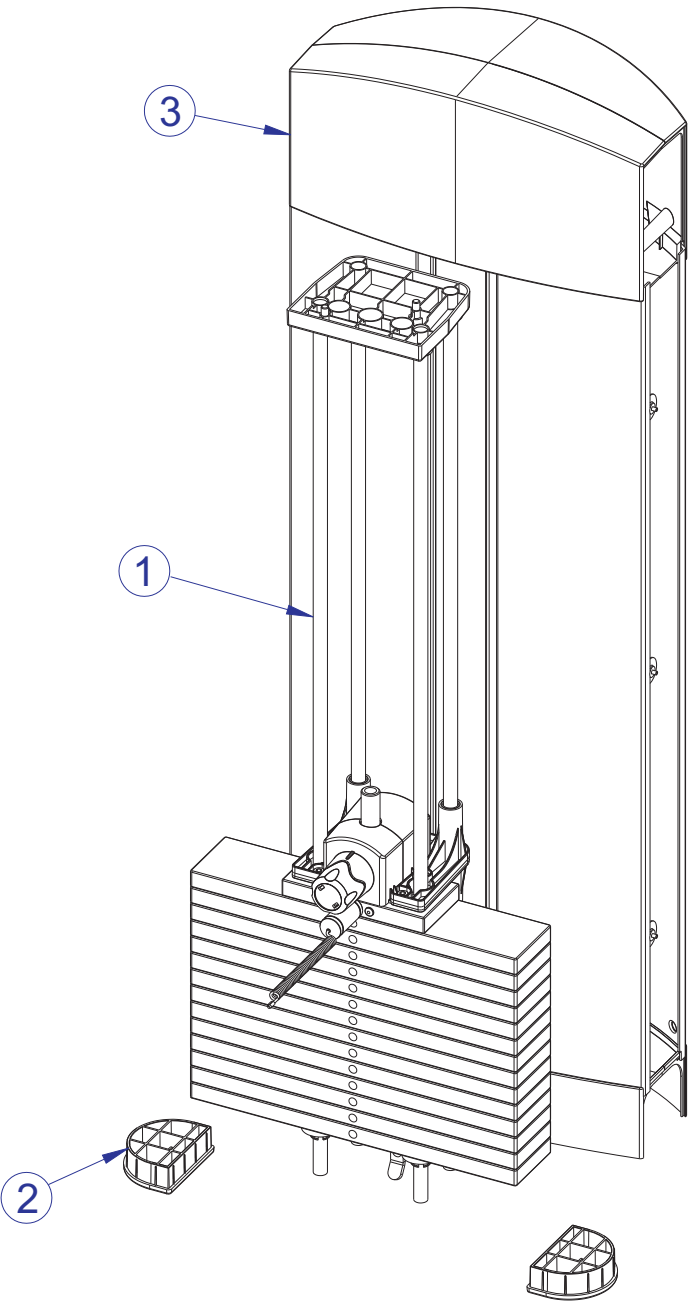
ITEM NO.	QTY.	PART NO.	DESCRIPTION
1	1	7911295	WLDMT, SEAT CARRIAGE SHDW GRAY
2	7	7889701	ROLLER, SEAT CARRIAGE
3	4	7911901	SPACER, .625 DIA X 16 GA.
4	3	7912001	SPRING, SEAT CARRIAGE
5	7	3232408	RING, BRE .443, 5100-46, ST,PP,B
6	1	3235703	SPRING, GAS 80N
7	2	7414301	STUD, M10 BALL END M10 X 1.5
8	1	7339401	BRACKET, GAS SPRING
9	1	7334001	FOOT, 2.50 X 4.49 FLOV
10	2	3236601	WASHER, 3/8 SAE SS
11	2	3236801	NUT, M10 HEX NYLOCK SS
12	2	3241201	M4 PHL PAN F ST ZN

FZCP CHEST PRESS ADJUSTER HANDLE ASSEMBLY - 7778001



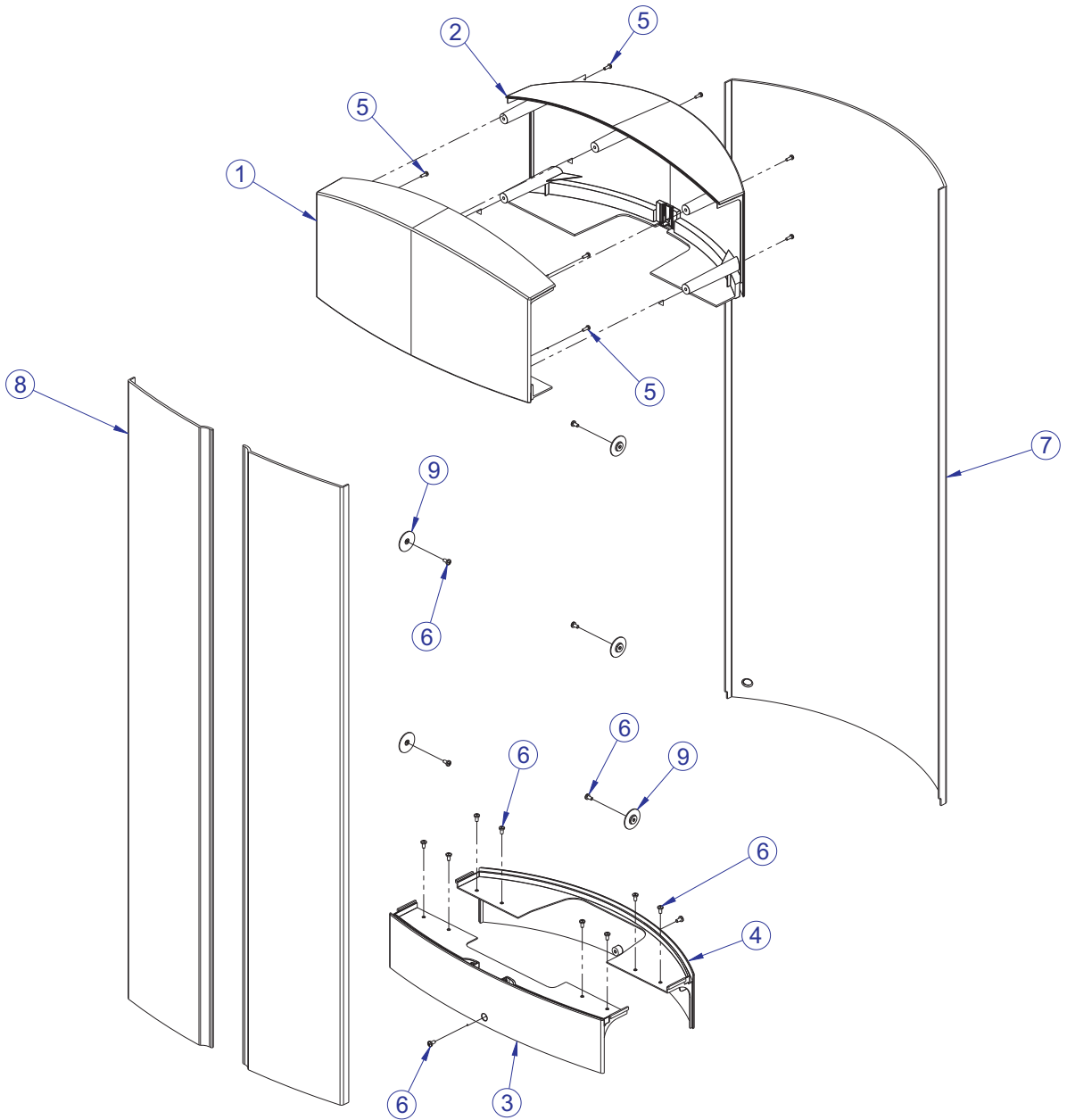
ITEM NO.	QTY.	PART NO.	DESCRIPTION
1	1	7777595	WLDMT, FZ SEAT ADJ HANDLE SHADOW GRAY
2	1	7331801	LINK, ADJUSTER
3	1	7331601	PIN, INDEX
4	2	7407501	PIN, LINK
5	4	3232401	RING, RETAINING, EXTERNAL
6	1	7287901	HANDLE, ADJUSTER
7	1	3110010	ROLL PIN, 1/8 X 7/8

FZCP CHEST PRESS MID-14 TOWER ASSEMBLY - 7420401



ITEM NO.	QTY.	PART NO.	DESCRIPTION
1	1	7420101	ASSY, WEIGHT STACK MID-14
2	2	7326301	CAP, D-TUBE-BTM
3	1	7419801	ASSY, TOWER PLASTICS-MID

FZCP CHEST PRESS PLASTIC TOWER ASSEMBLY - 7419801



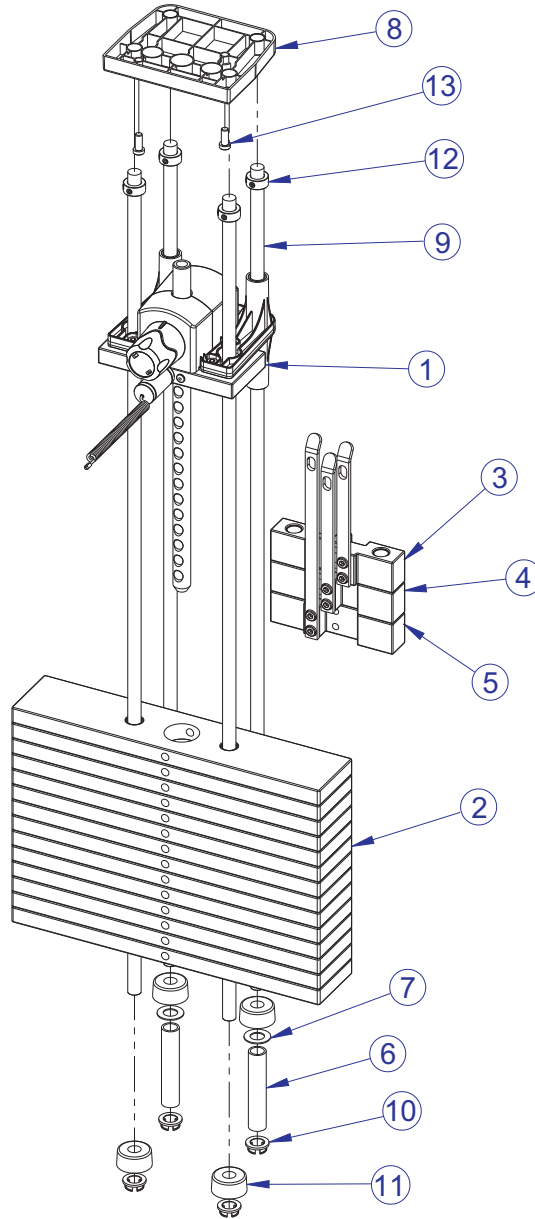
ITEM NO.	QTY.	PART NO.	DESCRIPTION
1	1	7318601	COVER, TOWER- TOP FRONT
2	1	7318701	COVER, TOWER- TOP REAR
3	1	7318801	COVER, TOWER- BOTTOM FRONT
4	1	7318901	COVER, TOWER- BOTTOM REAR
5	9	3236501	M4 X 0.7 PHL PAN MS ST ZN
6	16	3239101	SCREW, M5X10 PHL PAN TT ST
7	1	7765701	SHROUD, TOWER- REAR SHORT
8	2	7765601	SHROUD, TOWER- FRT SHORT RH
9	6	7583501	RETAINER, FZ SHROUD

FZCP CHEST PRESS

MID-14 WEIGHT STACK ASSEMBLY - 7420101

WEIGHT STACK LABELS

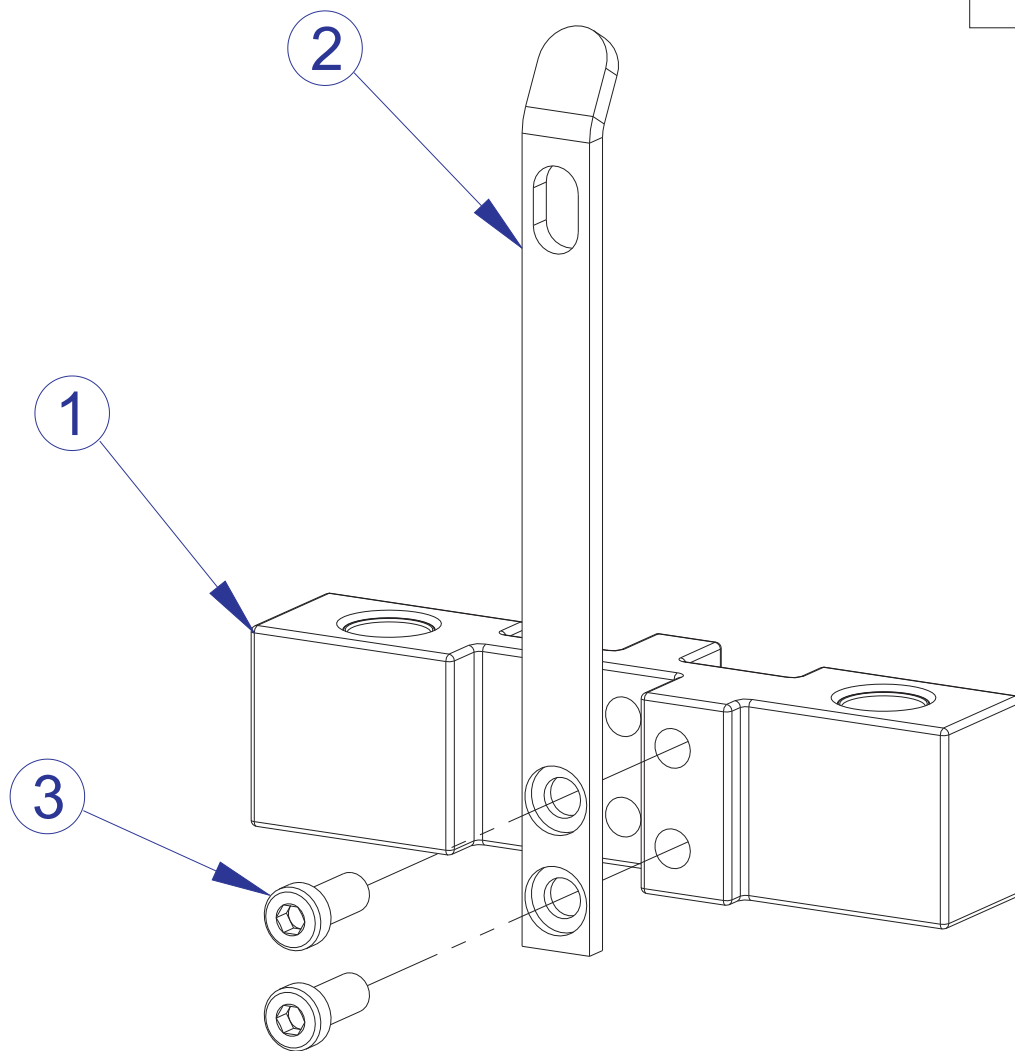
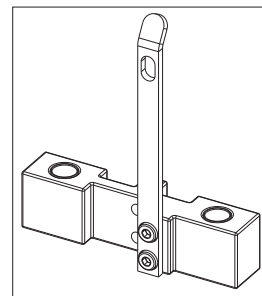
7927201	LABEL, 390 LB STACK
7927301	LABEL, 195 KG STACK



ITEM NO.	QTY.	PART NO.	DESCRIPTION
1	1	7350701	ASSY, HEAD PLATE (14)
2	14	7328401	WEIGHT PLATE, 20 LB
3	1	7327601	ASSY, INCREMENT WT-5LB
4	1	7327701	ASSY, INCREMENT WT-10LB
5	1	7327801	ASSY, INCREMENT WT-15LB
6	2	7328701	SPACER, INC WT STACK 14 PLT
7	2	7351001	SPACER, INC WT STACK
8	1	7621101	RETAINER, GUIDE ROD-TOP
9	4	7328602	GUIDE ROD, .75 OD SOLID X 53.50
10	4	7337901	BUSHING, GUIDE ROD
11	4	7352101	CUSHION, WEIGHT STACK
12	4	3103301	SHAFT COLLAR, 3/4" ID ZINC
13	2	3236202	M10 X 1.5 X 25 HXS SOC CS SS

FZCP CHEST PRESS

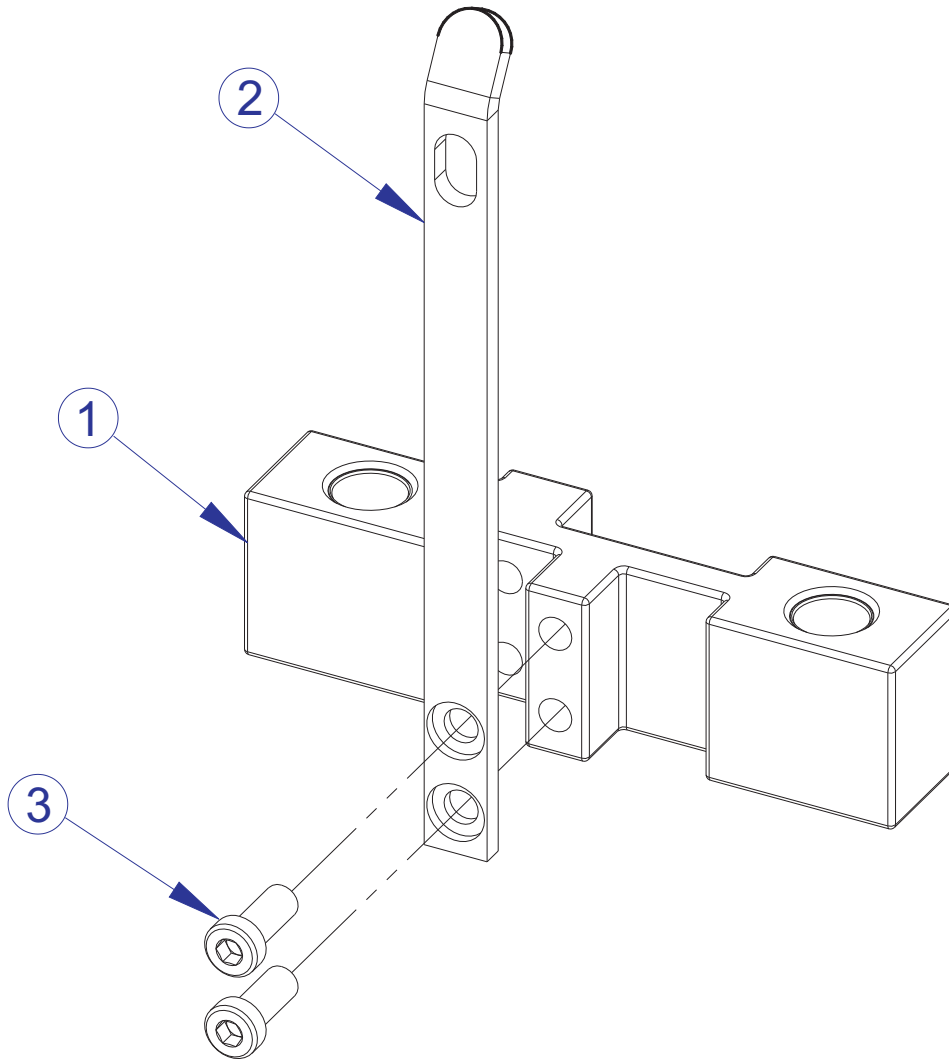
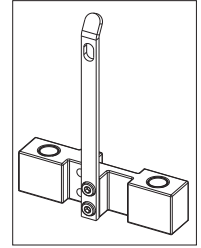
5 LB. INCREMENT WEIGHT ASSEMBLY - 7327601



ITEM NO.	QTY.	PART NO.	DESCRIPTION
1	1	7968501	ASSY, FZ INC WEIGHT 5LB
2	1	7328001	BRKT, INCREMENT WT - 5 LB
3	2	3236202	SCREW, M10 X1.5 25MM

FZCP CHEST PRESS

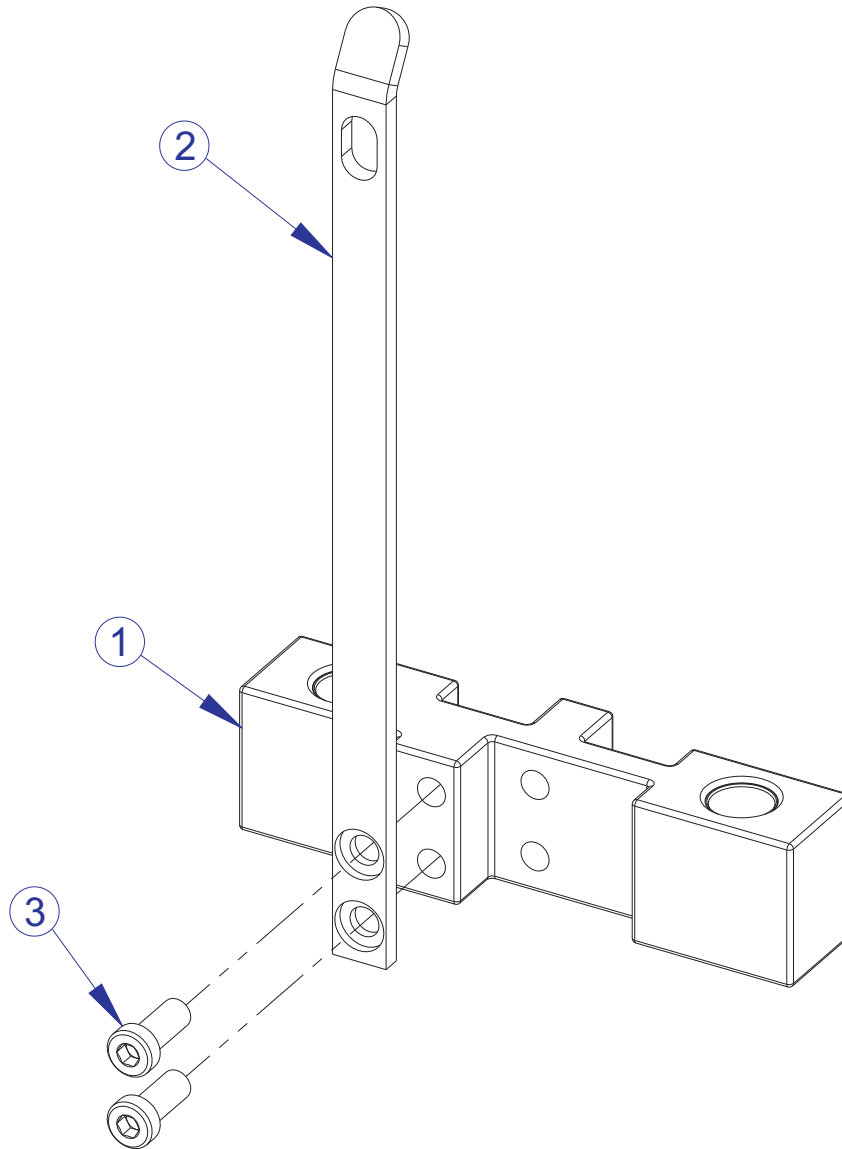
10 LB. INCREMENT WEIGHT ASSEMBLY - 7327701



ITEM NO.	QTY.	PART NO.	DESCRIPTION
1	1	7968501	ASSY, FZ INC WEIGHT 5LB
2	1	7328101	BRKT, INCREMENT WT - 10 LB
3	2	3236202	SCREW, M10 X1.5 25MM

FZCP CHEST PRESS

15 LB. INCREMENT WEIGHT ASSEMBLY - 7327801

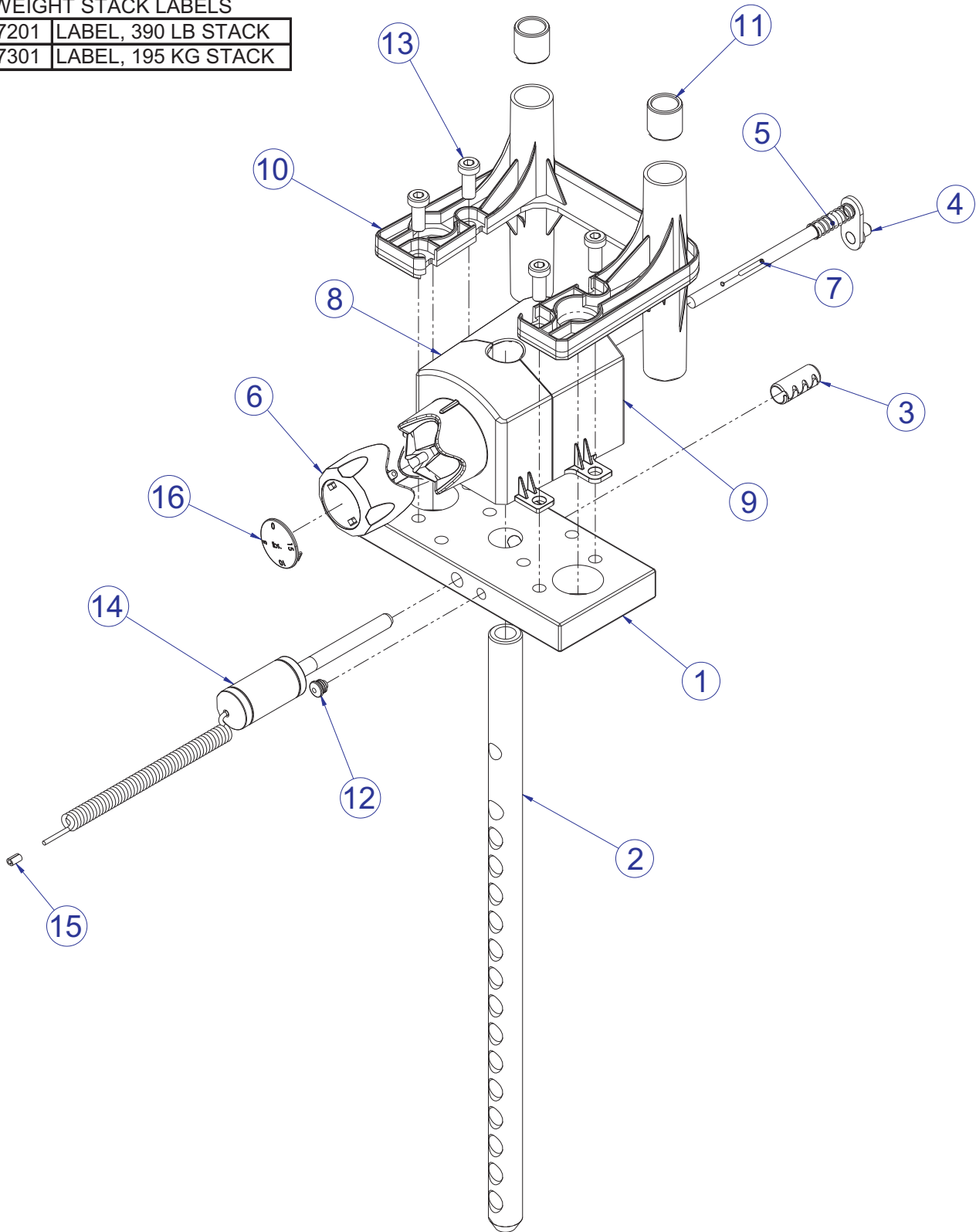


ITEM NO.	QTY.	PART NO.	DESCRIPTION
1	1	7968501	ASSY, FZ INC WEIGHT 5LB
2	1	7328201	BRKT, INCREMENT WT - 15 LB
3	2	3236202	SCREW, M10 X1.5 25MM

FZCP CHEST PRESS HEAD PLATE ASSEMBLY - 7350701

WEIGHT STACK LABELS

7927201	LABEL, 390 LB STACK
7927301	LABEL, 195 KG STACK



SEE PAGE 16 FOR LEGEND

FZCP CHEST PRESS HEAD PLATE ASSEMBLY LEGEND

ITEM NO.	QTY.	PART NO.	DESCRIPTION
1	1	7326701	HEAD PLATE
2	1	7347801	STEM, 9 PLATE
3	1	3236001	BUSHING, SPRING PIN
4	1	7327201	WLDMT, INCREMENT WT PIN
5	1	8024501	SPRING, 1/2 OD X 1-1/2
6	1	7326101	KNOB, INC WT SELECTOR
7	1	3110008	ROLL PIN, 1/8 X 1-1/4
8	1	7326401	HOUSING, SELECTOR - FRONT
9	1	7326501	HOUSING, SELECTOR - REAR
10	1	7362101	STABILIZER, HEAD PLATE
11	4	7459601	BUSHING, HEAD PLT STABILIZER
12	1	7356501	PLUG, LANYARD ATTACHMENT
13	4	3236202	SCREW, M10 X1.5 25MM
14	1	7338101	ASSY, WT STACK SELECTOR PIN
15	1	7523601	CRIMP, CABLE
16	1	7398601	CAP, SELECTOR KNOB, LBS
	OR		
	1	7398701	CAP, SELECTOR KNOB, KG

FZCP CHEST PRESS IMAGE

